

Installation Instructions

Suitable for the wall-hung toilet of CE410S-W020-E64W01

Safety precautions

Explanation of symbols



DANGER Refers to potentially dangerous situation that may cause serious injury or death .



NOTICE Refers to potentially dangerous situation that may cause injury or property losses .



FORBID Refers to forbidden to do .



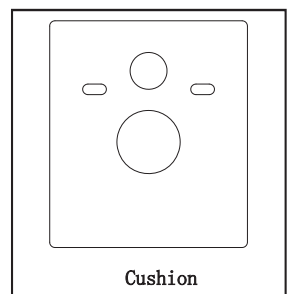
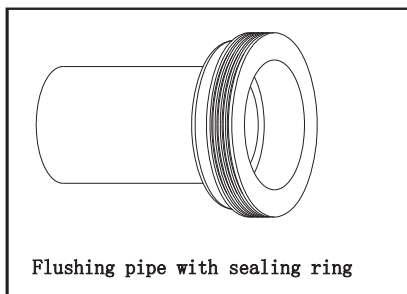
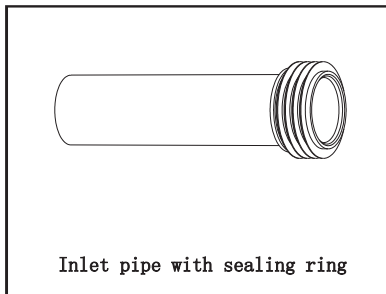
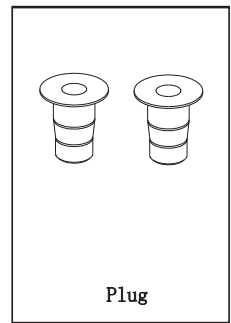
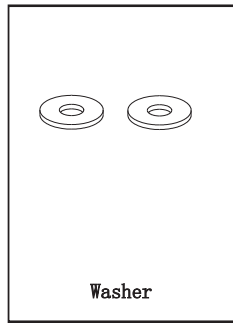
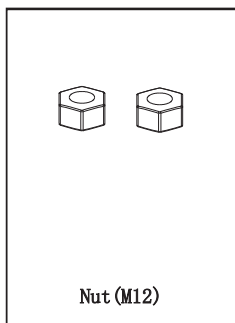
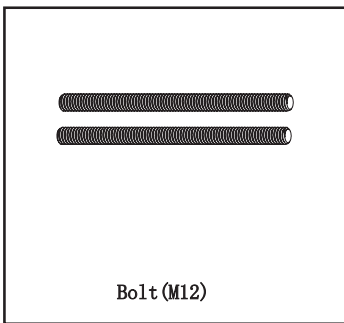
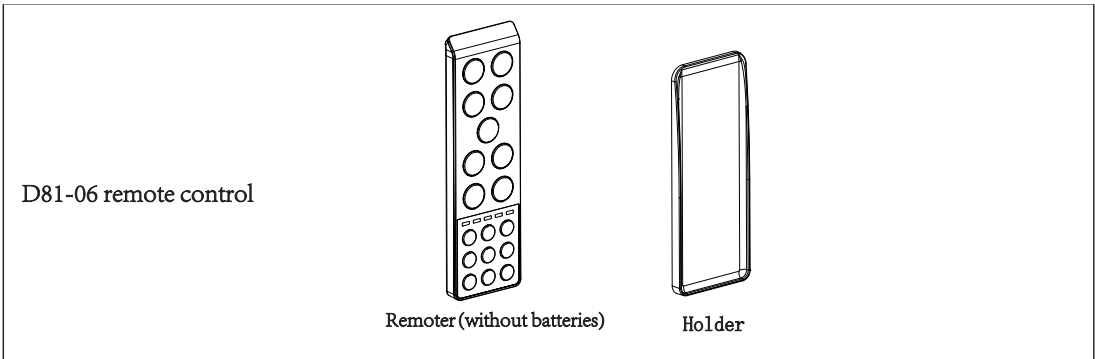
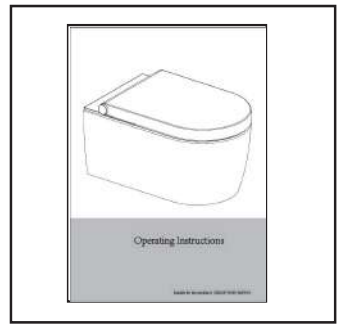
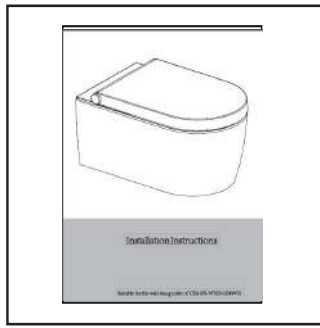
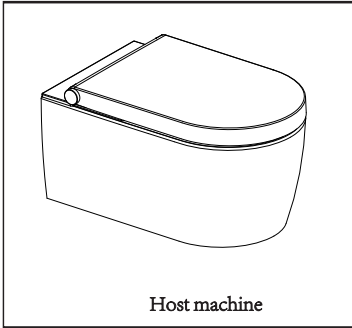
MUST BE ABIDED Refers to abide by the rules .

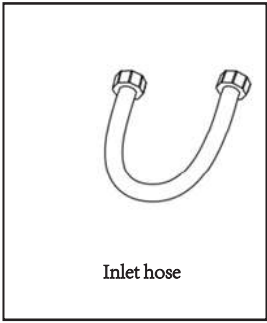


DANGER The supplier shall not be liable for any loss arising from the failure to comply with the following regulations

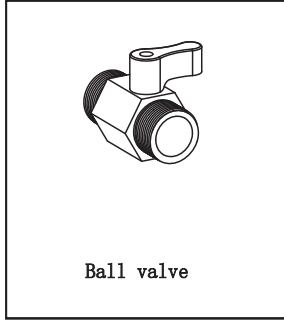
- 1.This equipment is “I” type electric appliance, must be completed connected to the grounding system
- 2.If the supply cord is damaged, it must be replaced by the manufacturer, its service agent or similarly qualified persons in order to avoid a hazard.
- 3.This equipment is electric appliance, please do not be installed at the place where can easily be splashed with water or high temperature. Please install exhaust fan or ventilation opening to make sure there is a good ventilation when using at Bathroom.

Bill of material

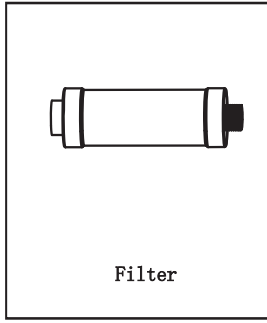




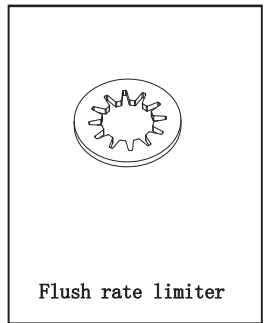
Inlet hose



Ball valve

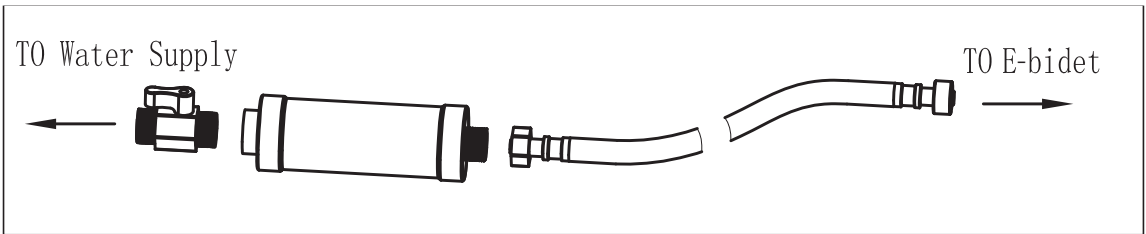


Filter



Flush rate limiter

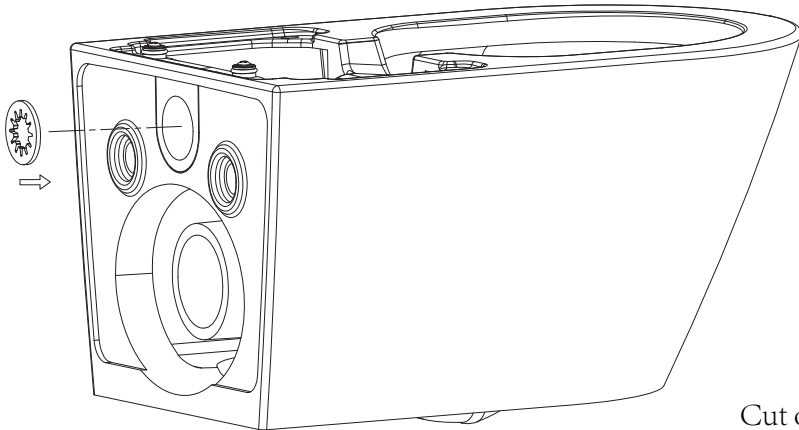
Filter Installation



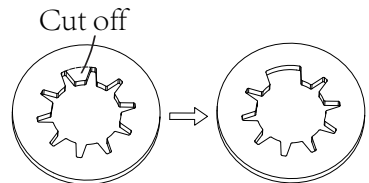
Installation of Flush Rate Limiter



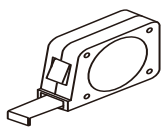
If the water volume of the flushing cistern is too much the flush rate limiter is necessary.



After installing the limiter, if the bowl can not be washed well, please cut off one or more teeth of the limiter.



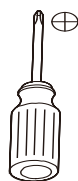
Tools in need



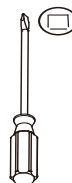
Tape measure



Marker



Cross screwdriver



Screwdriver



Knife



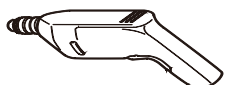
File



Adjustable wrench



Wire stripper



Electrodrill



6mm diameter drilling bit



Hacksaw



Ruler



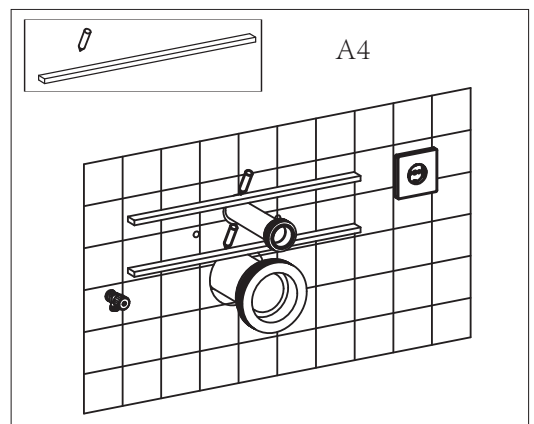
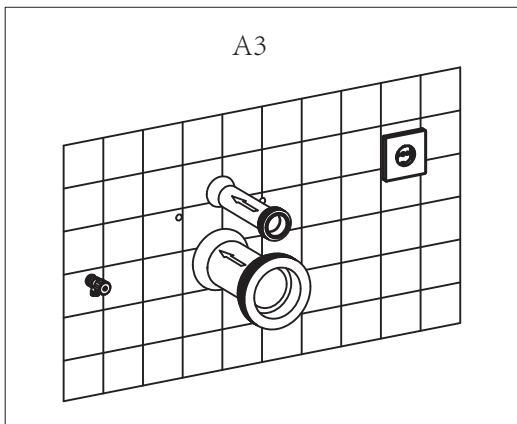
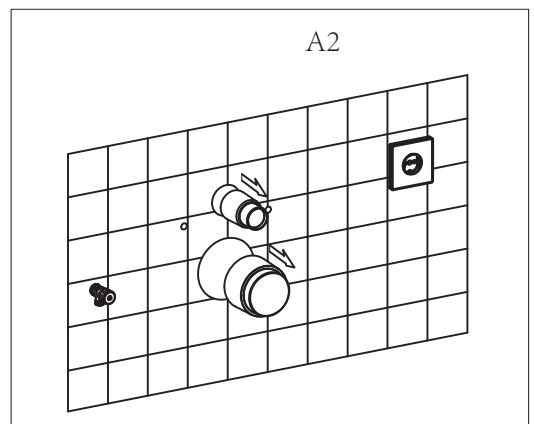
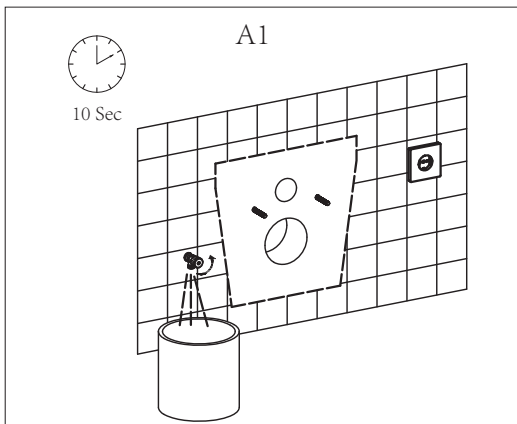
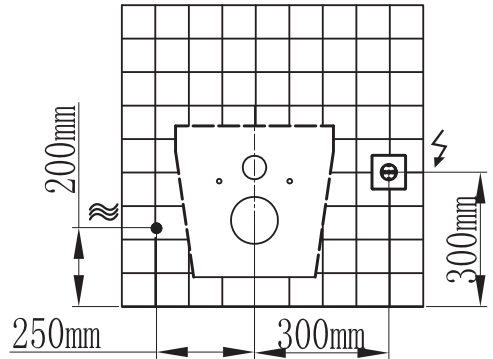
Levelling instrument

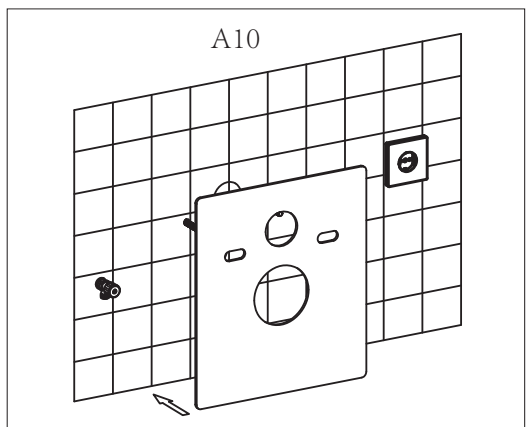
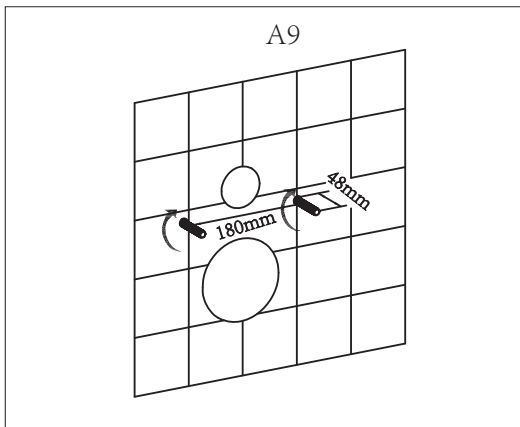
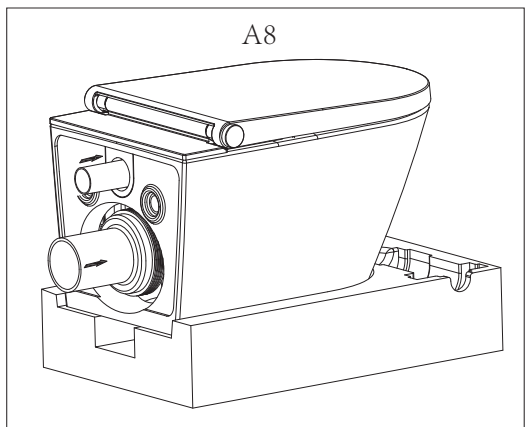
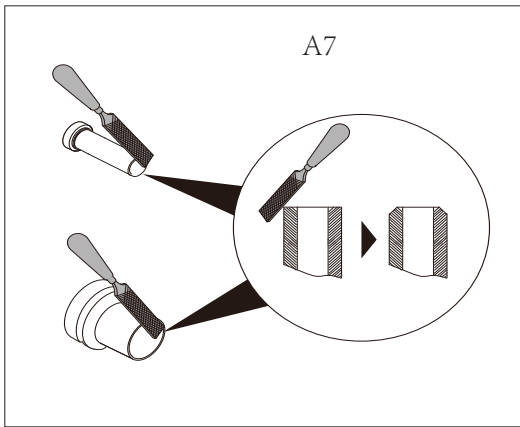
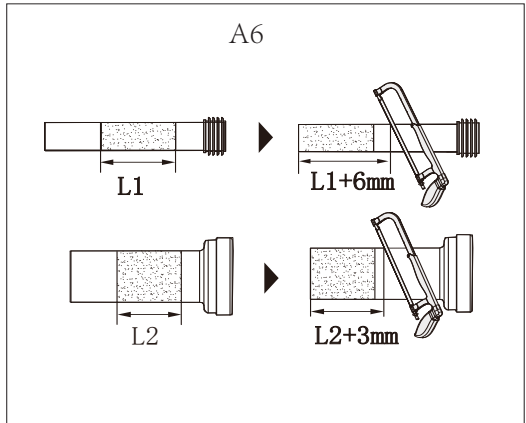
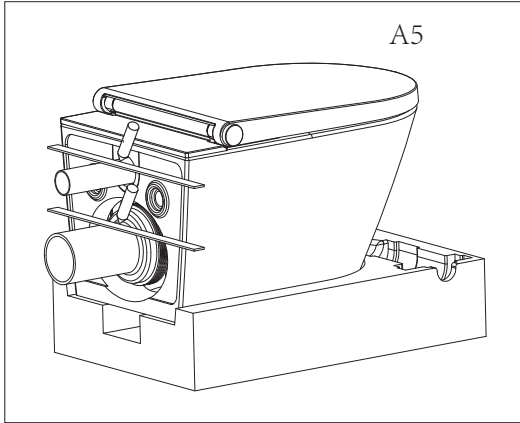


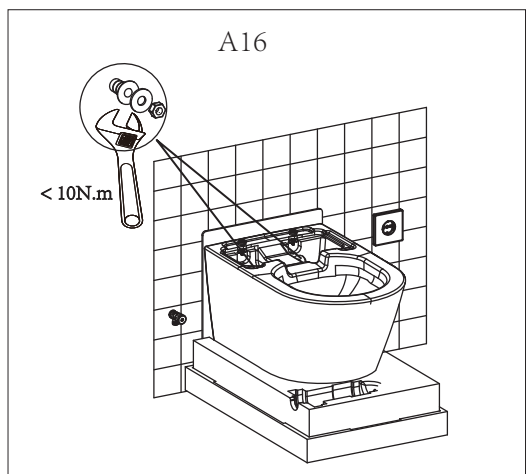
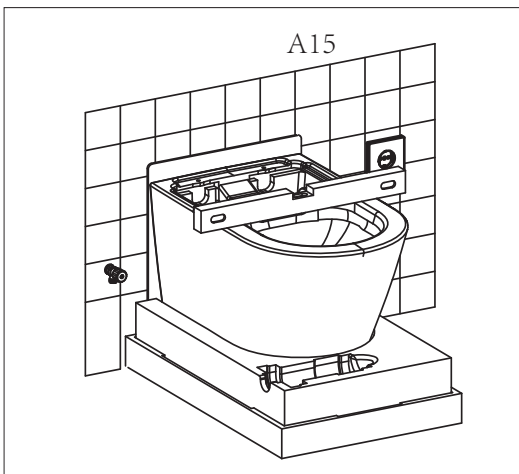
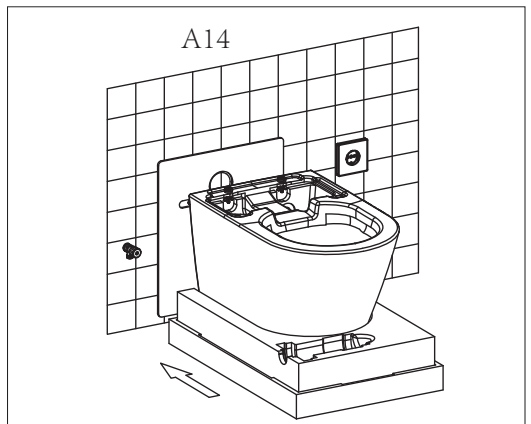
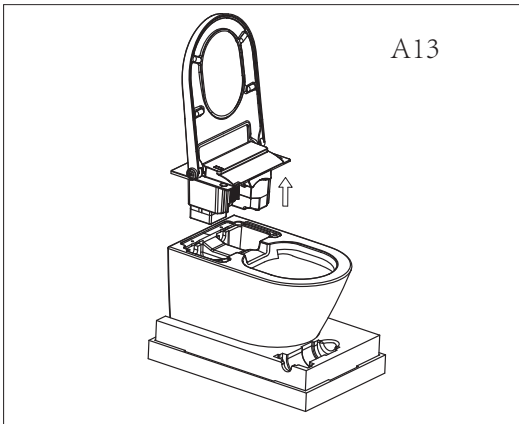
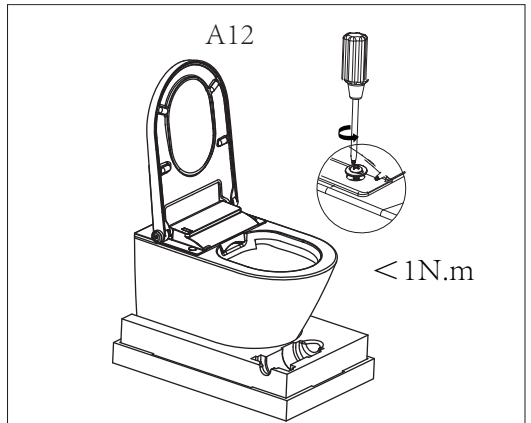
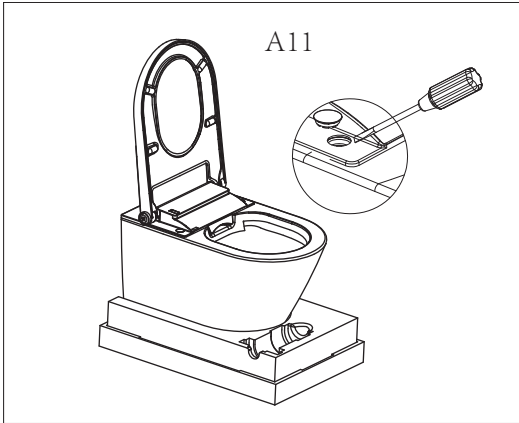
The pictures of instruction is for reference only.
Please subject to the actual product .

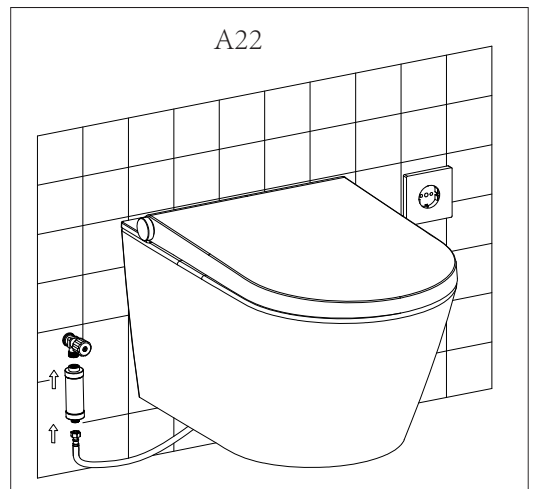
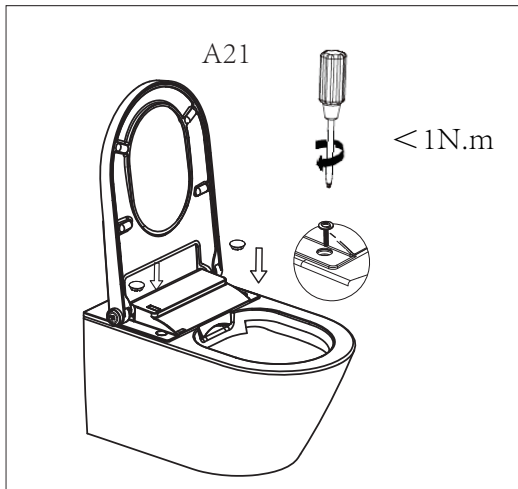
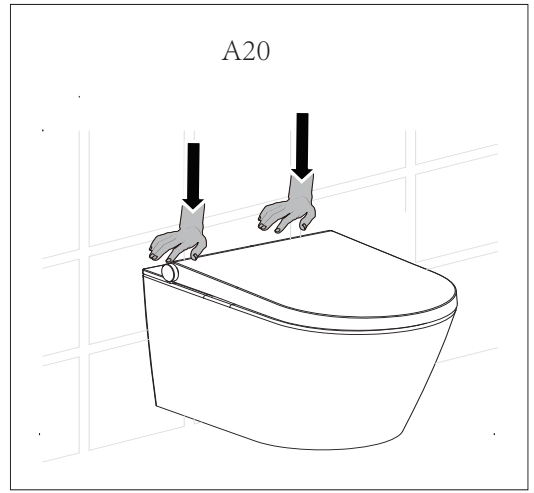
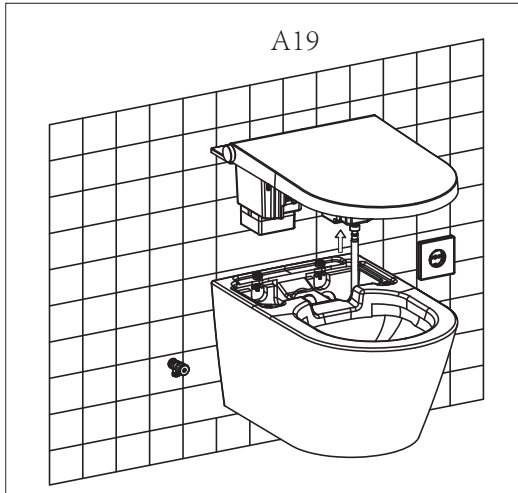
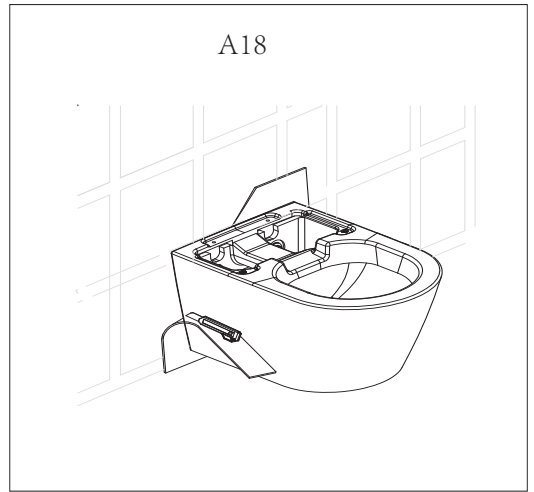
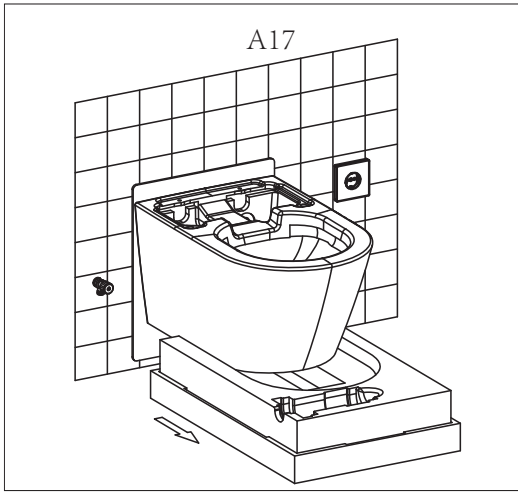
Installation mode A

- Before installation , Make sure the angle valve and power supply equipped in the toilet installation area

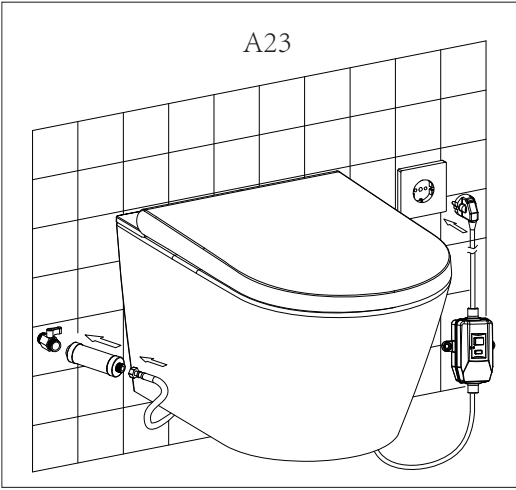




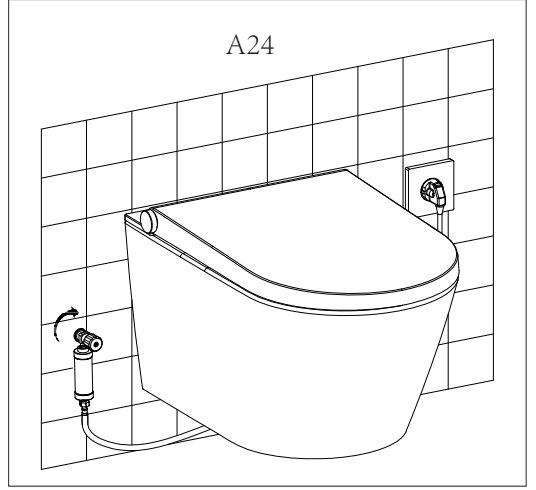




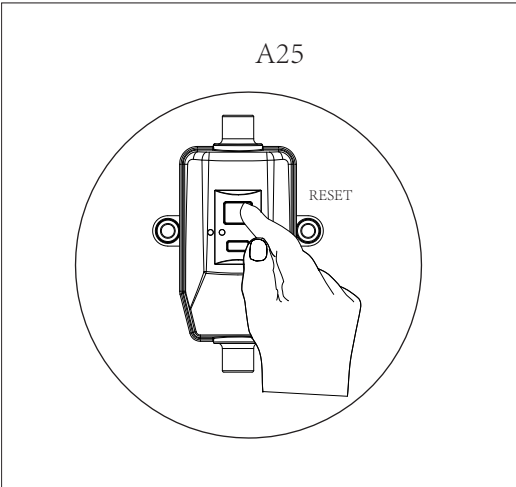
A23



A24




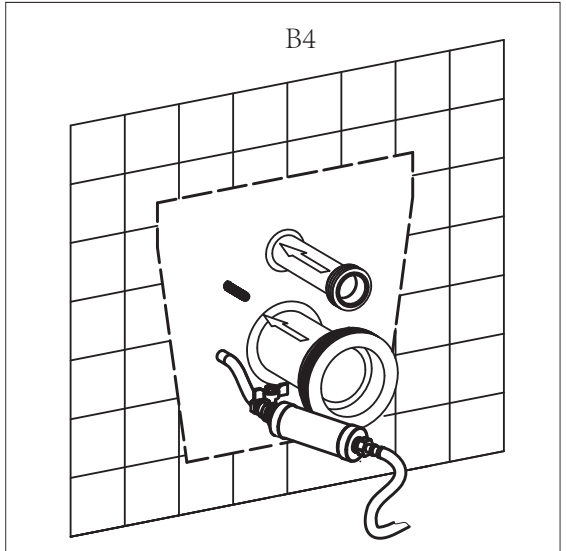
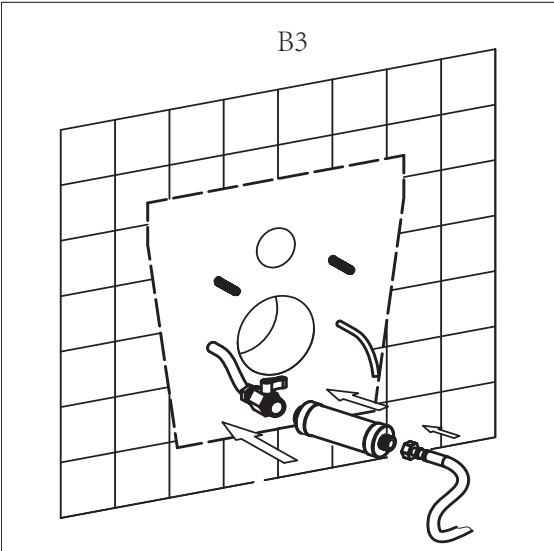
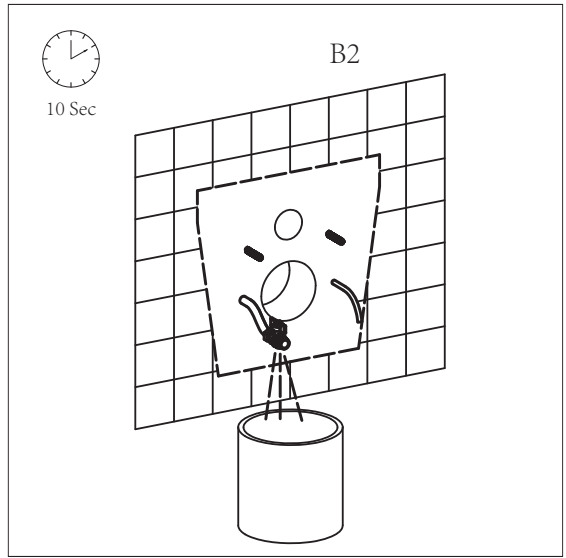
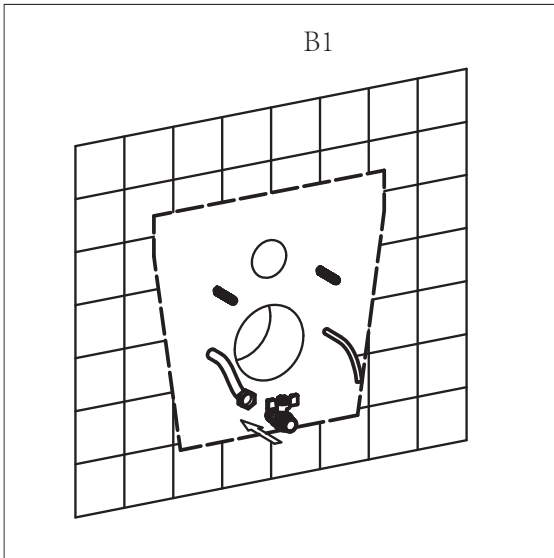
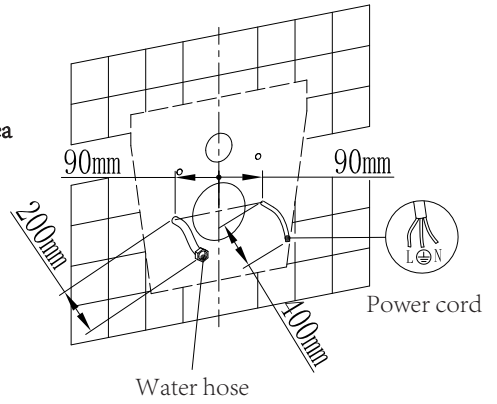
A25



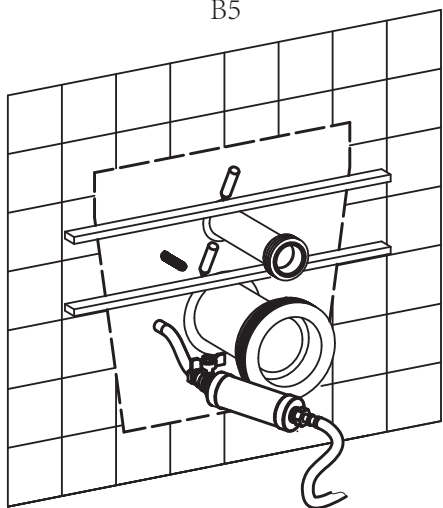
Installation mode B

- Before installation , Make sure the water hose and the power cord equipped in the toilet installation area

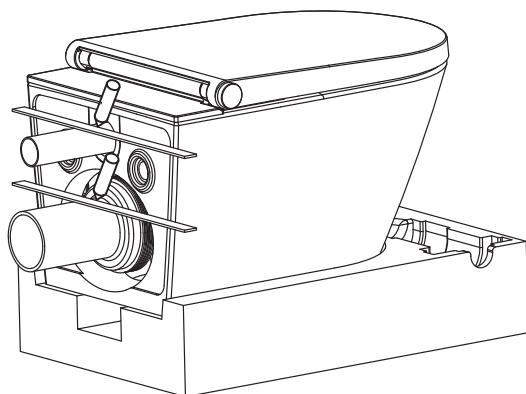
 **DANGER** These operations should be performed by qualified service personnel



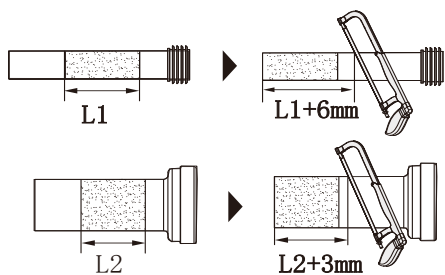
B5



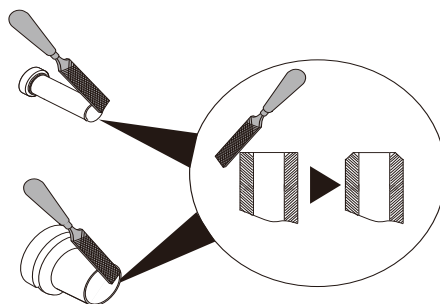
B6



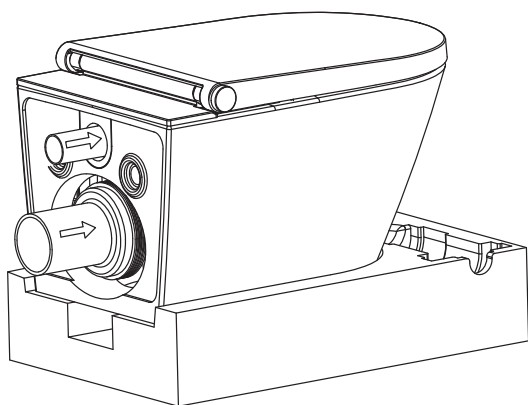
B7



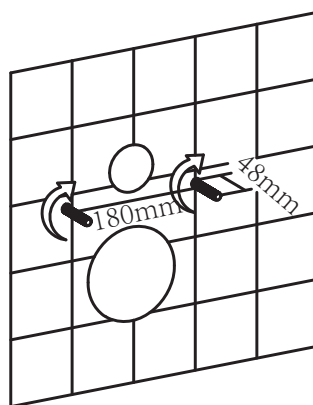
B8



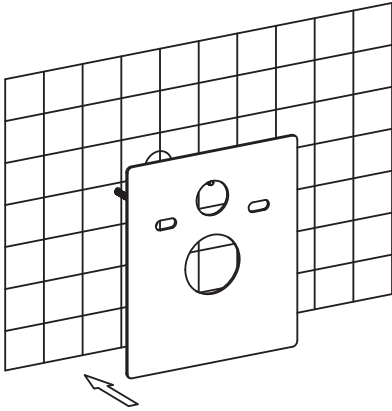
B9



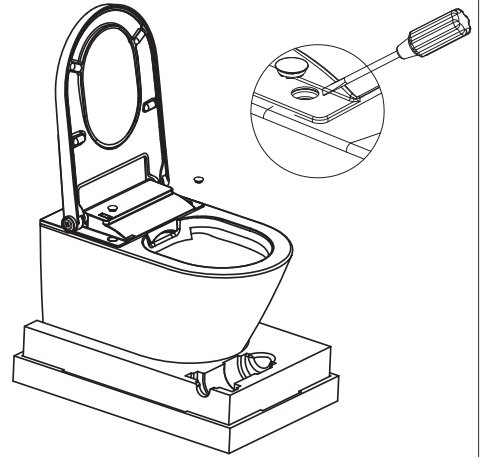
B10



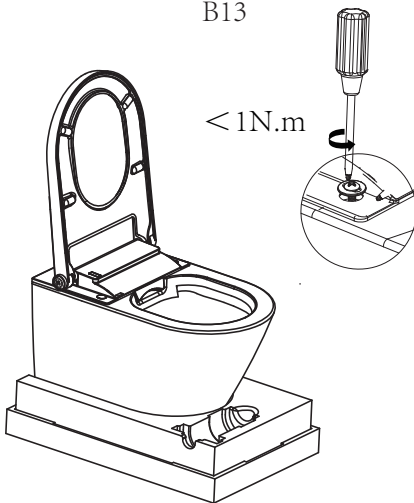
B11



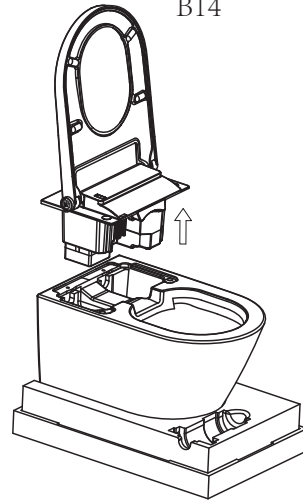
B12



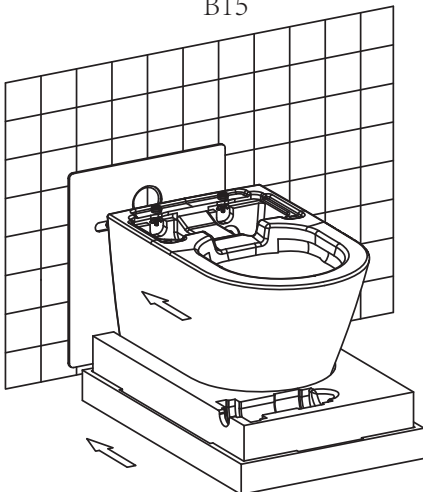
B13



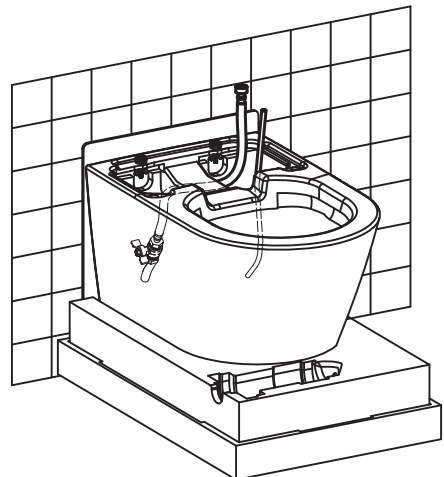
B14



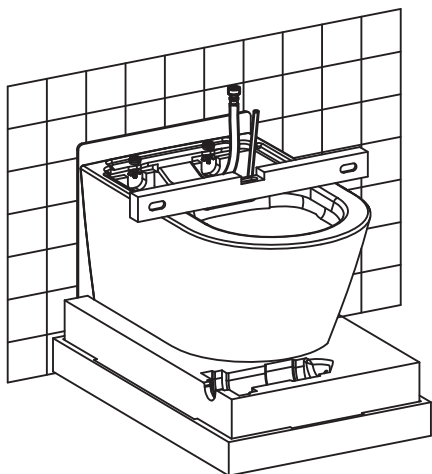
B15



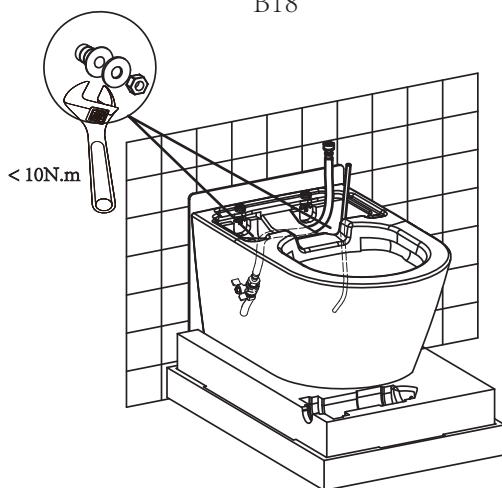
B16



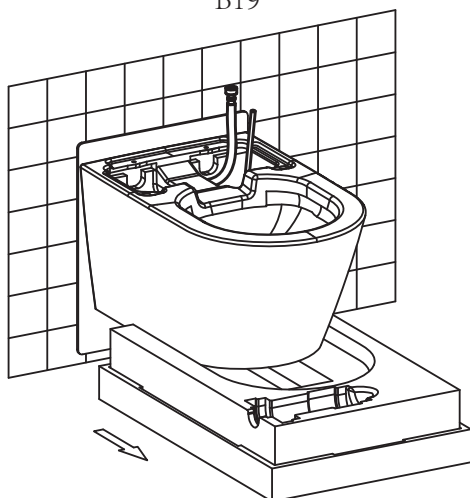
B17



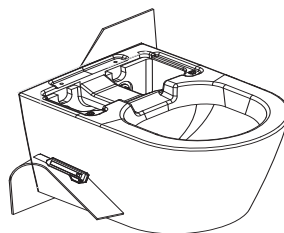
B18



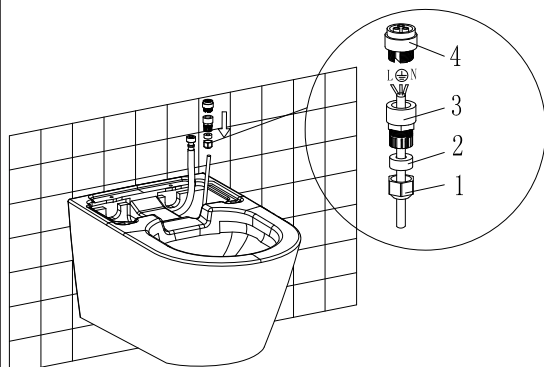
B19



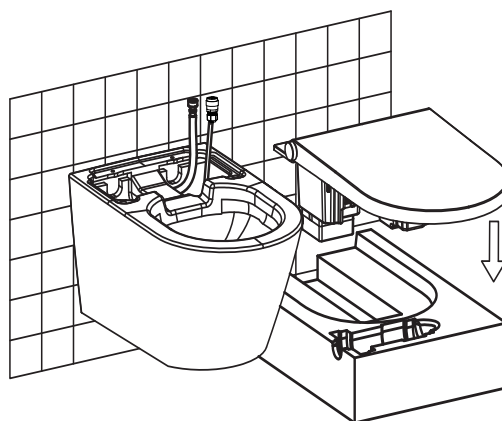
B20

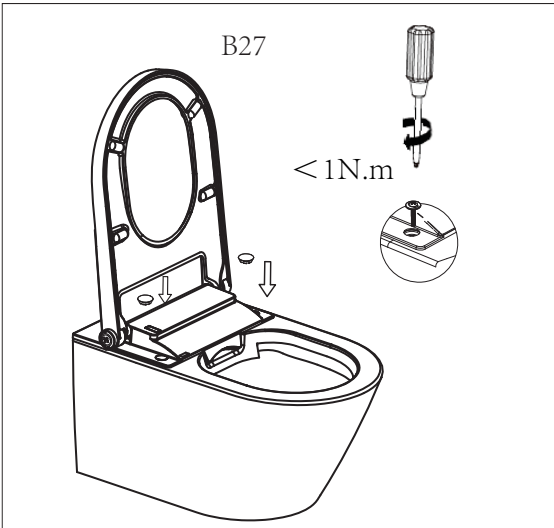
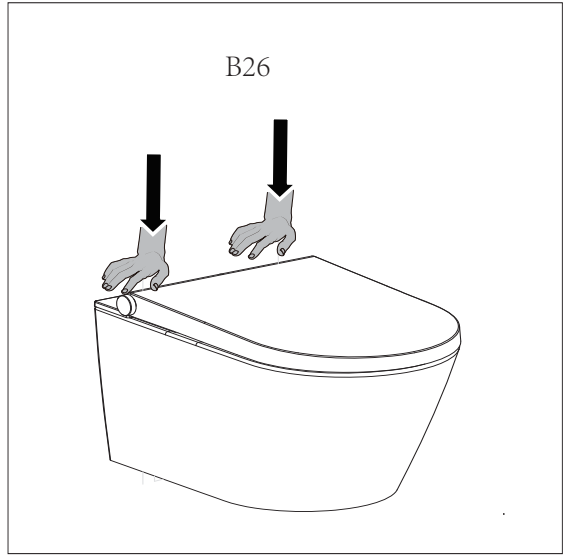
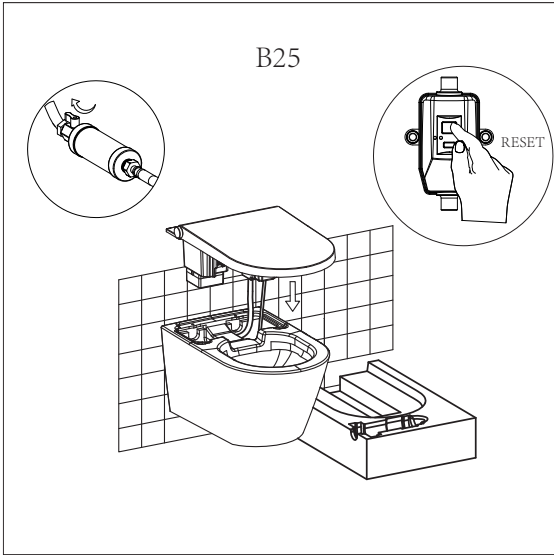
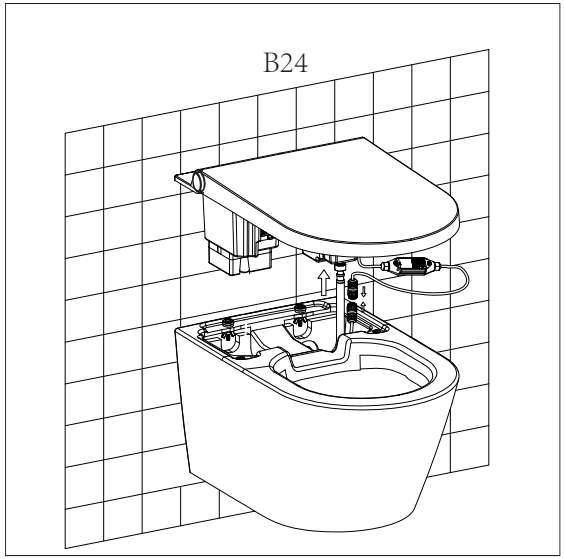
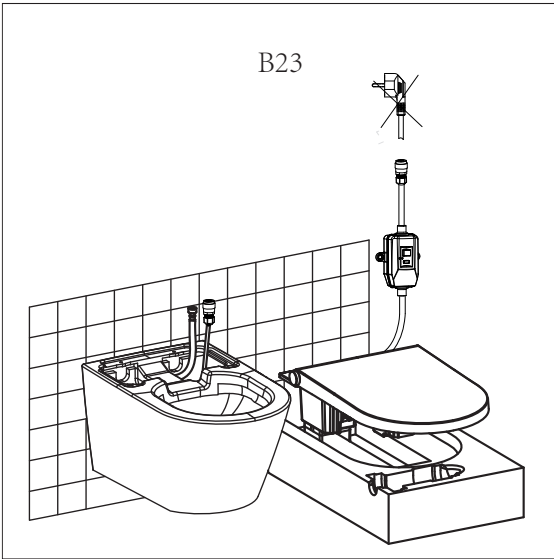


B21



B22





Install the remote control

Recommended installation area

